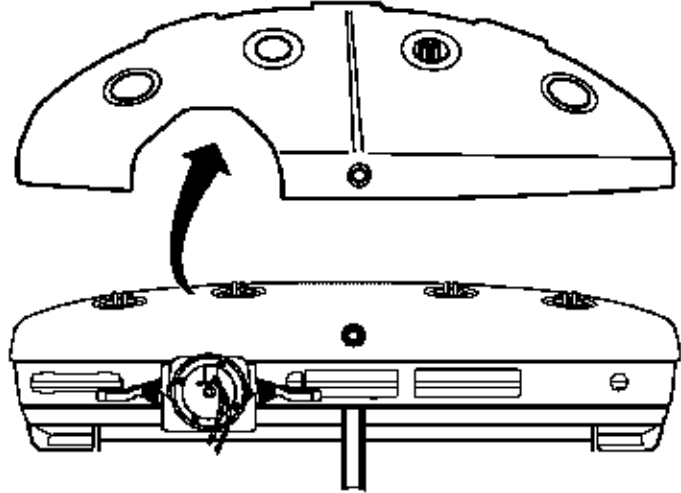


## Airbag Control Unit, Remove and Install



### Remove

Instrument pad assembly from vehicle – see operation "Instrument Pad Assembly, Remove and Install".



T 9577

Harness connector from airbag control unit.

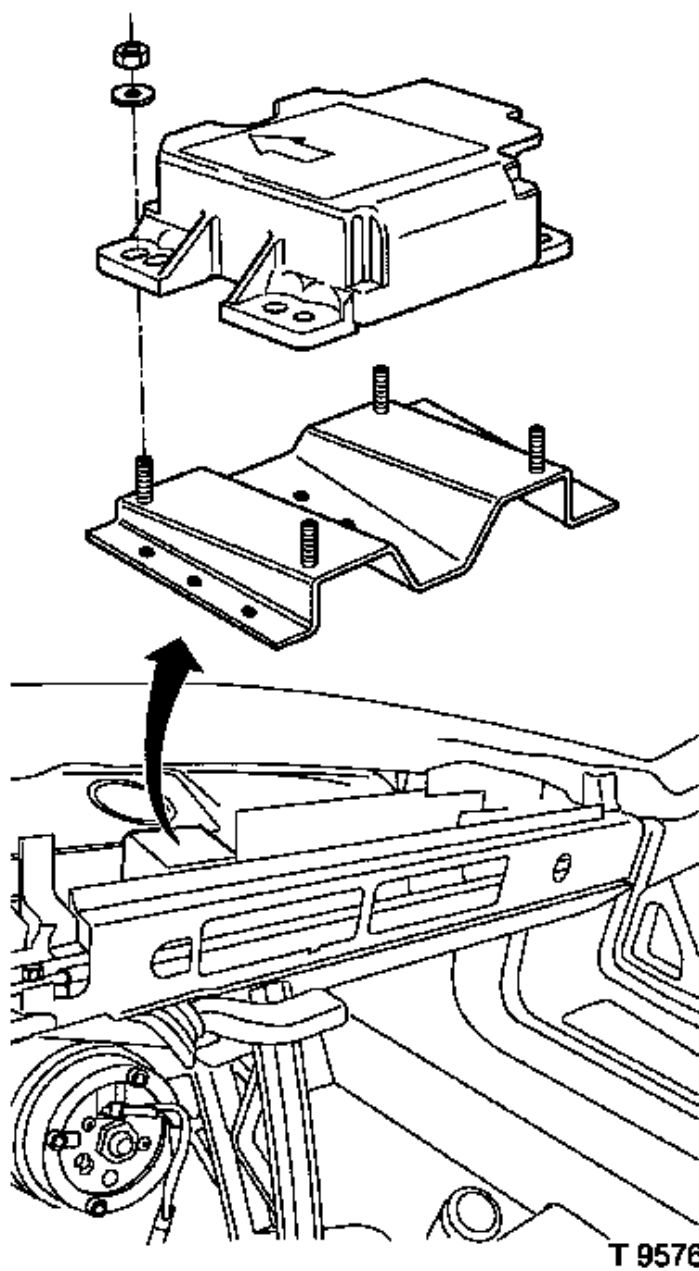
Airbag control unit from support bracket – nuts and washers.



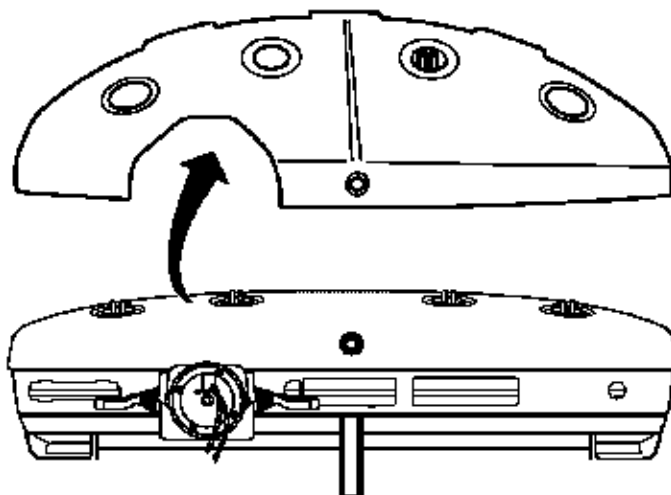
### Install

Airbag control unit to support bracket – washers and nuts.

Harness connector to airbag control unit.



Instrument pad assembly to vehicle – see operation "Instrument Pad Assembly, Remove and Install".



**T 9577**